

System operation

- Pressing remote transmitter UNLOCK button once unlocks driver's door only, and turns on interior lamps.
- Pressing remote transmitter UNLOCK button twice within 5 seconds unlocks all doors, and turns on interior lamps.

Synchronization

When

- Remote transmitter buttons operated repeatedly while vehicle out of range and system becomes inoperative.
- Remote transmitter battery replaced.
- Vehicle battery in low or no charge condition.

How

- Stand within 5 ft of vehicle.
- Press and hold remote transmitter LOCK and UNLOCK buttons for 7 seconds.
- Door locks should cycle to confirm synchronization.

Programming

When

- Remote transmitter added or replaced.
- System malfunction.

How

- Switch ignition OFF.
- Access the programming connector (located behind panel in LH trunk) [Fig. 1](#) .
- Jump programming connector terminals [Fig. 1](#) .
- System should now lock and unlock doors, trunk and chirp horn to indicate programming mode activated.
- Proceed as follows:
 - Press and hold LOCK and UNLOCK buttons on remote transmitter.
 - After approximately 12 seconds system should lock and unlock doors, trunk and chirp horn indicating remote transmitter programmed.
- Repeat above procedure for other remote transmitters.
- Remove programming connector jumper wire to exit programming mode.

NOTE: Existing remote transmitter memory positions will be overwritten.

- Obtain and reprogram all remote transmitters.

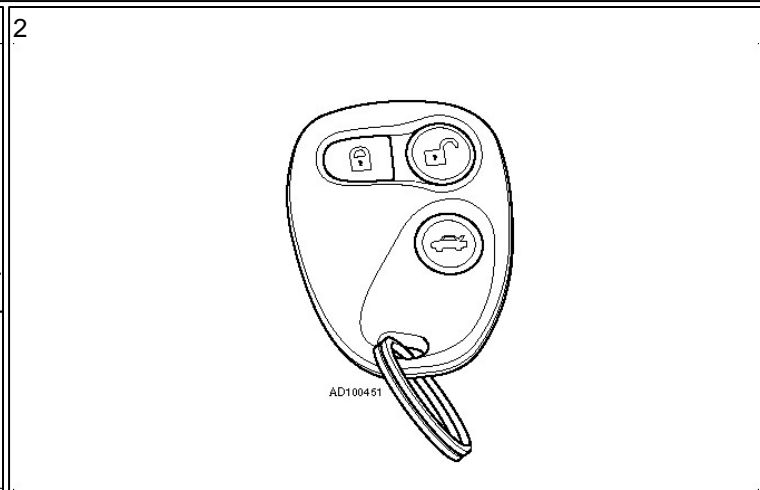
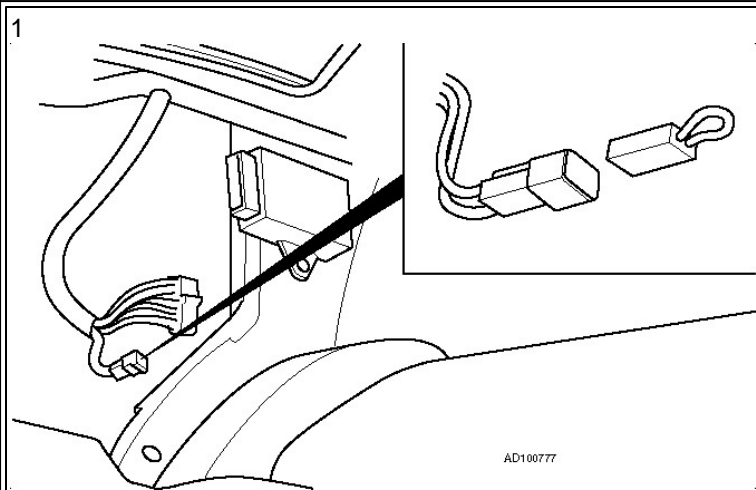
NOTE: A maximum of 4 remote transmitters can be programmed.

[Fig. 1](#) [Fig. 2](#)

Manufacturer: Chevrolet
Engine code: LD9 (VIN 8 = T)
Tuned for:

Model: Malibu 2.4
Output: 150/6000
Year: 1997-99

© Autodata Limited 2010
. 8/29/2011
V8.300M- ***/Autodata***



Manufacturer: Chevrolet
Engine code: LD9 (VIN 8 = T)
Tuned for:

Model: Malibu 2.4
Output: 150/6000
Year: 1997-99

© Autodata Limited 2010
8/29/2011
V8.300M- ***/Autodata***